



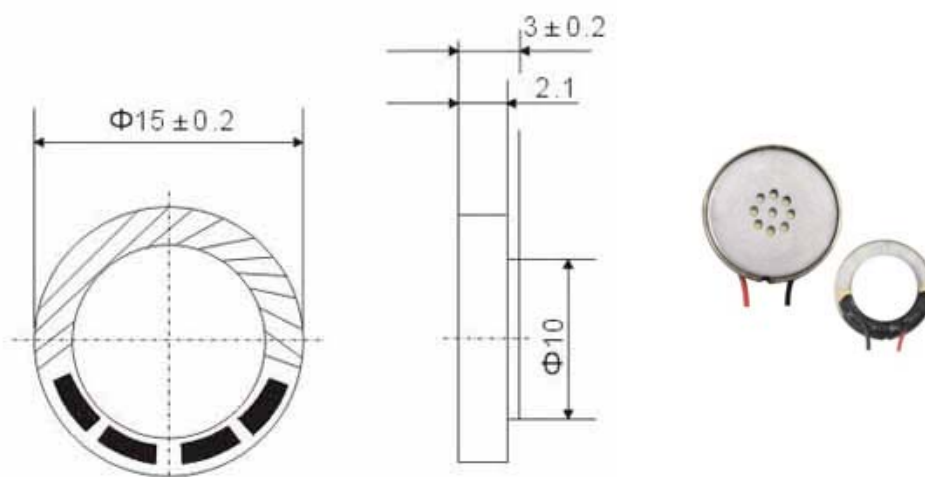
**DB LECTRO**  
COMPOSANTS ÉLECTRONIQUES  
ELECTRONIC COMPONENTS



Wire Type

PRC15-1Q

## Dimensions and material



## Electrical Characteristics

Model No.	PRC15-1Q
Magnet	Nd-Fe-B Magnet
Impedance	$80 \pm 15\% \Omega$ at 1 KHz
Sensitivity	$88 \pm 2\text{dB S.P.L.}60\text{mv(IEC318)}$ at 1KHZ 0dB= $2 \times 10^{-5}$ Pa

## Frequency Response

